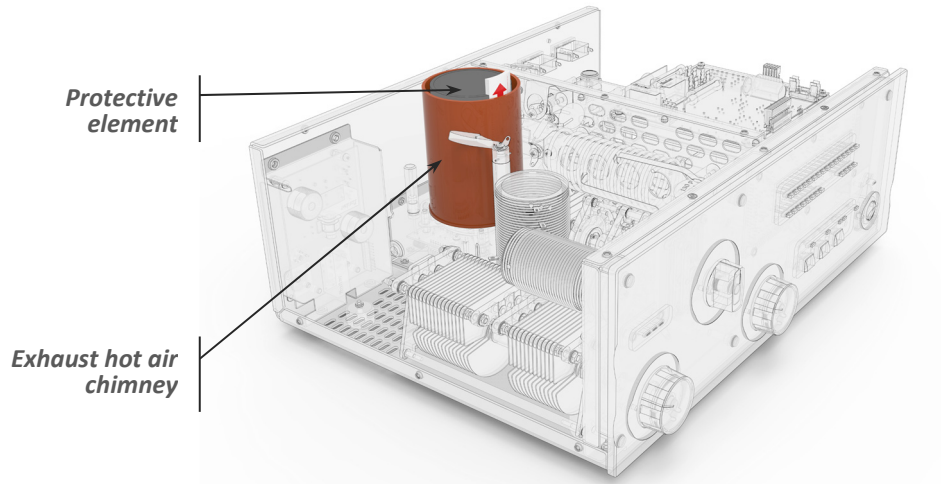


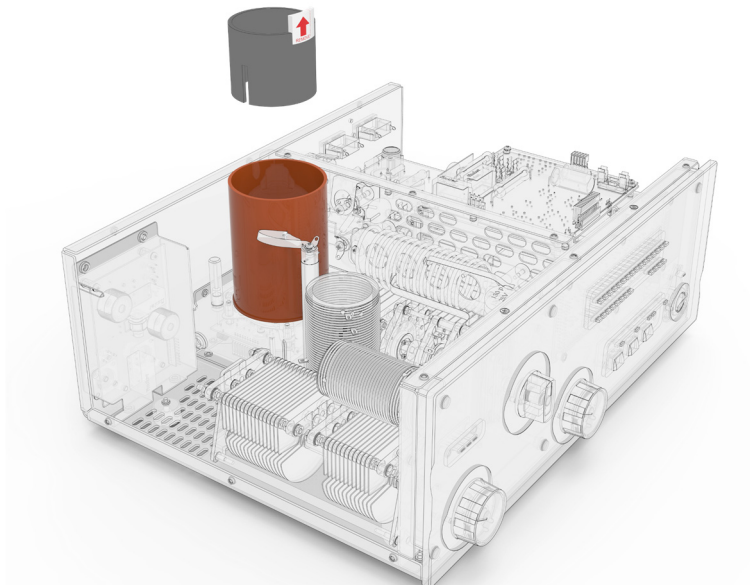
## INTERNAL TRANSPORT PROTECTIVE ELEMENT REMOVING

The ACOM 1010 amplifier is supplied with an internal protective element for tube protection during transport. Removing the protective element before the first use of the amplifier is necessary. Do not leave the protective element inside the amplifier. This will damage the amplifier (not covered by the warranty).

- Remove the amplifier top cover by unscrewing the screws holding it;



- Pull out the *protective element* upward as shown below;



- Reassemble the amplifier top cover.



Read carefully *ACOM 1010 User's Manual* (published July 2023 or newer) and follow the instructions described in it.

The documentation is available for download at [www.acom-bg.com](http://www.acom-bg.com)